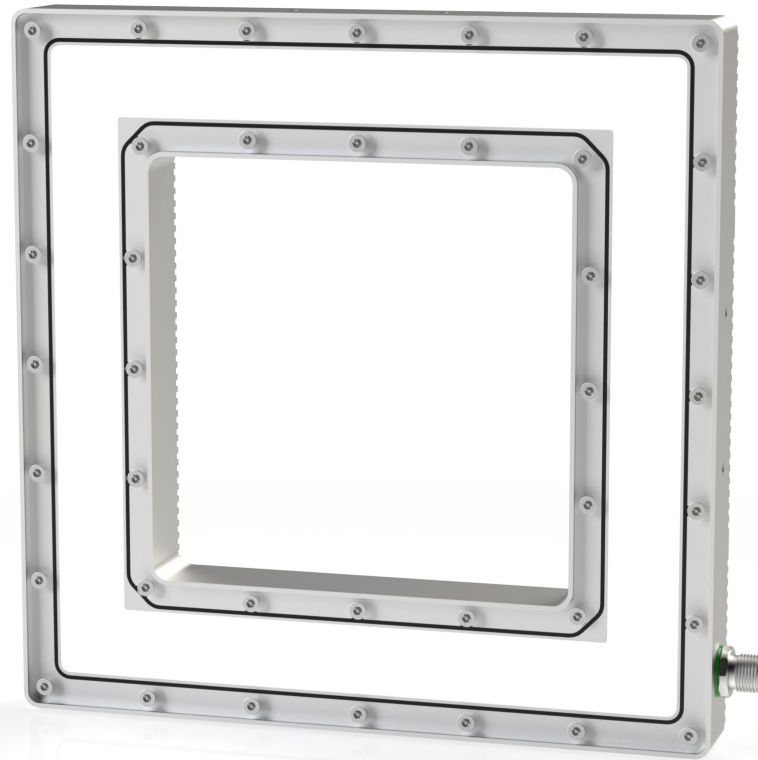


# Ring · RD2 SERIES White 5000K

lumher

USER MANUAL



24 V  
DC



NOT  
CASCADABLE

IP65



M12A



MACHINE VISION

POWER 1x  
STROBE 4x



INTEGRATED  
CONTROLLER



POLARIZED

36  
MONTHS



MADE IN SPAIN

# 1. Product Description

LED luminaire suitable for installation in electrical panels, machinery, home, elevators, machine vision, etc.

Structure made of silver anodized aluminum with multiple options. Equipped with the latest generation LEDs, the internal electronics allow direct connection to a power source, thus extending the life of the luminaire. In vision luminaires, a protection system is included to avoid exceeding the recommended triggering time.

## 2. Safety Tips

LUMHER luminaires have been manufactured according to the technical specifications specified for each model, using high-quality components and following a delicate production process. Each production detail has been carefully crafted, from the manufacture of the electronic circuit to the final packaging, maintaining all quality criteria.

Users should consider the following safety tips regarding the product.

- This manual should be kept close to the luminaire.
- It is important that users read all instructions before connecting the luminaire.
- Follow the instructions in this document.
- Install the product taking into account the safety risks specified in this document.
- LUMHER is not responsible for improper use of this luminaire.

### 2.1. Correct Use of the Luminaire

The product classification is IP40 or IP65 depending on the selected model, so this information must be considered when using the luminaire.

### 2.2. Product Safety

If the luminaire is not used correctly, it may be harmful to individuals due to electrical risks.

- The connection should ONLY be made by qualified personnel.
- Disconnect the power before performing any manipulation of the luminaire.
- The luminaire must comply with all the requirements indicated on the product label.
- Maintenance and repair should be carried out only by qualified personnel.
- There may be a risk of explosion if the luminaire is used in explosive environments.
- Do not install the luminaire in explosive environments.

#### Installation and Safety

- Avoid hitting the luminaire, even with packaging. It is a fragile product. Strong impacts may damage the luminaire.
- Use only the fastenings provided by the manufacturer.
- Properly use the mounting fixings.

- The luminaire must be securely fastened with the appropriate screws depending on the installation surface.
- Periodically check that the luminaire is properly installed.

#### Glare Hazard

- Avoid looking directly at the luminaire, as it may cause temporary vision problems, irritation, and eye pain.
- Do not look directly at the light source.
- Adjust the luminaire so that the light source does not directly impact the operator's eyes.

#### Hazard from Non-Original Spare Parts

- Always use original spare parts from the manufacturer.

#### Damage Due to High Temperatures

Install the luminaire in environments where there is no high temperature. A temperature above the maximum operating range can drastically reduce the luminaire's lifespan. Avoid direct sunlight.

#### Damage Due to Repairs

Do not disassemble or repair the equipment if not done by qualified personnel. Improper repairs may cause damage to people and objects.

In case of failure, do not repair; return to technical support.

Any modification of the product not performed by the technical service will void the warranty.

### 2.2. Risk Levels

**DANGER:** Risk in case of non-compliance. It may cause immediate injury or even death.

**WARNING:** Risk in case of non-compliance. It may cause injuries or even death.

**ATTENTION:** Risk in case of non-compliance. It may cause immediate injuries.

**ADVICE:** Risk in case of non-compliance. It may cause damage to objects.

## 3. Versions

The product code can be found on the luminaire label and packaging. Find the luminaire code on the packaging label and verify the item with the product label.

The barcode on the label shows the week and year of manufacture.

Do not remove the product label, as it will facilitate traceability in case of return due to failure or malfunction.

If the luminaire does not have a label, it will lose its warranty.

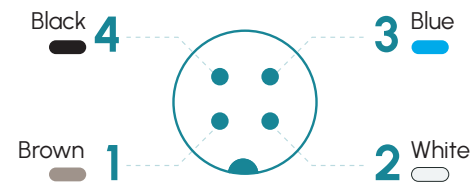
## 4. Technical specifications

|                                 |   |                   |
|---------------------------------|---|-------------------|
| Power supply voltage            | 24 Vdc ±5%  |                   |
| Trigger input                   | 24 Vdc PNP / NPN  |                   |
| Max. on time                    | Power = unlimited   | Strobe = 10 ms    |
| Max. working cycle              | Power = 1   | Strobe = 1/6      |
| Max. number of cascable modules | This luminaire is not cascable                                  |                   |
| Wavelength                      | White   | 5000 K            |
| Beam angle                      | Semidiffuse<br>Ultradiffuse                                     | 110°<br>110°      |
| Electrical protections          | Transient overvoltages<br>Polarity reversal<br>Current sablizer | YES<br>YES<br>YES |
| IP Rating                       | IP65  |                   |
| Protection type                 | Class III   |                   |
| Operating temperature           | -10 a +40 °C  |                   |
| Body material                   | Anodized aluminum   |                   |
| Diffuser material               | PMMA plastic  |                   |
| Connection types                | M12A connector  |                   |
| Standards                       | RoHs, CE  |                   |

## 5. Connection

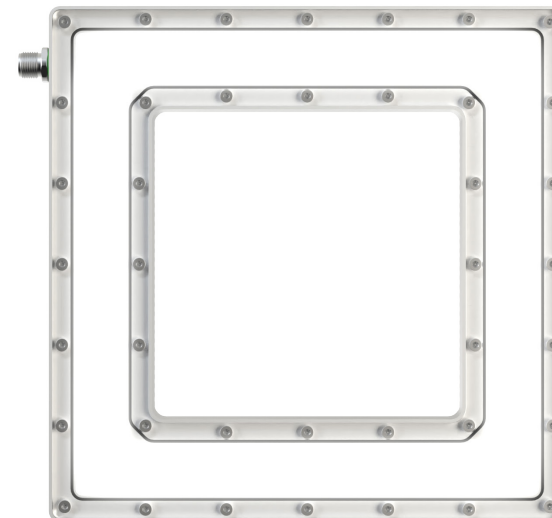
| M12A input    | Power         | Master Power - Strobe |
|---------------|---------------|-----------------------|
| Pin 1 - Brown | +24 Vdc       | +24 Vdc               |
| Pin 2 - White | Not connected | Trigger NPN           |
| Pin 3 - Blue  | 0 Vdc         | 0 Vdc                 |
| Pin 4 - Black | Not connected | Trigger PNP           |

### M12A Male



### Fixings

B00S1

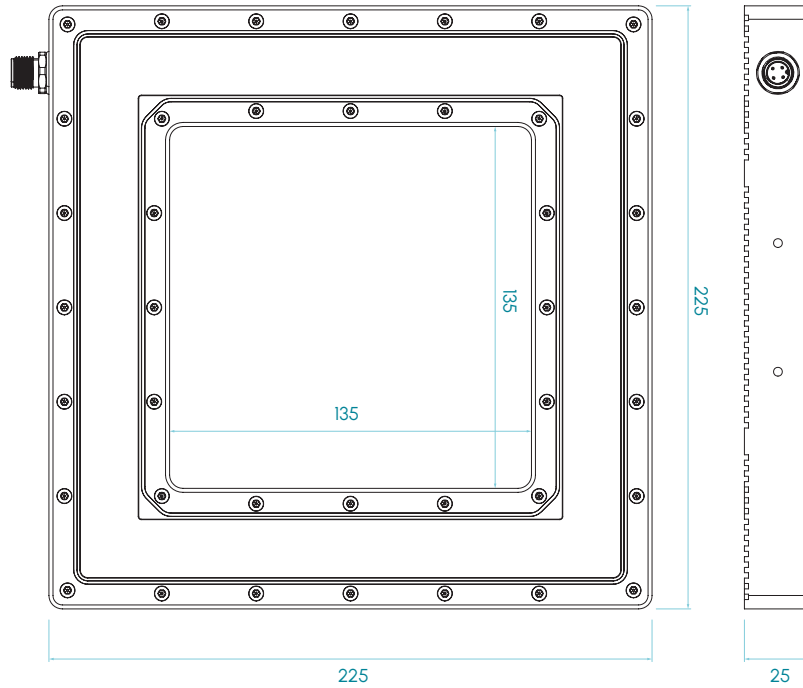


# RD2 · 5000K

**lumher**

## 6. Measures

RD2



## 7. Selection guide

RD 2 D 5 Y

Diffuser

Working mode

C - Semidiffuse

U - Ultradiffuse

M - Semidiffuse polarized

G - Ultradiffuse polarized

P - Power

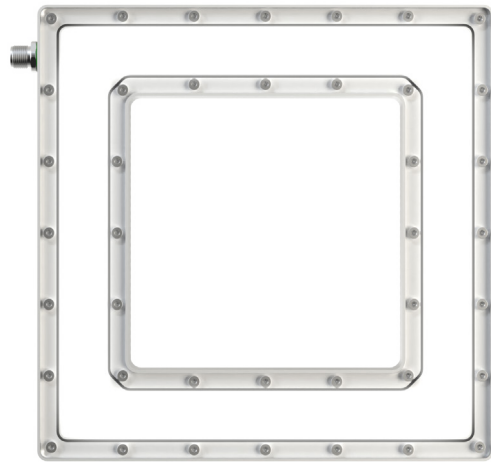
Z - Master Power - Strobe

Measures in mm

# RD2 · 5000K

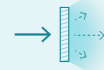
**lumher**

## Model RD2 · White 5000K



**5000K**

WHITE



SEMIDIFFUSE  
110°



ULTRADIFFUSE  
110°

PHOTOBIOLOGICAL  
RISK

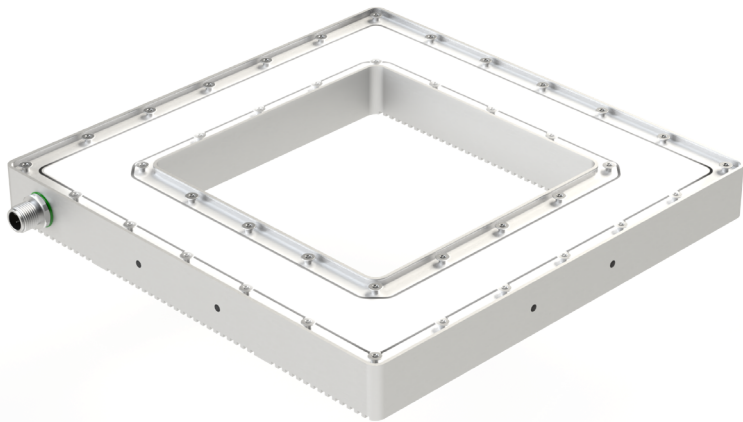
RG1 - LOW

**60.000h**

LIFESPAN

### Table of characteristics

|          | Width | Length | Weight | Luminous flux <sup>(1)</sup> |        | Power consumed |        |
|----------|-------|--------|--------|------------------------------|--------|----------------|--------|
|          | (mm)  | (mm)   | (g)    | (lm)                         | (lm)   | (W)            | (W)    |
|          |       |        |        | POWER                        | STROBE | POWER          | STROBE |
| RD 2 ... | 225   | 225    | 1.276  | 2.432                        | 9.728  | 15,2           | 60,8   |



(1) The luminous flux (lm) is before the diffuser.

## 8. Connection

**ADVICE** - Liquid leaks into the luminaire can damage components and break the lamp.

Maintain input voltage within the permissible range; incorrect voltage will damage the LED driver. **Permitted voltage range: 24VDC±5%**

**Improper wiring can cause lamp breakage, material, and personal damage.** Electrical connection must be carried out by qualified personnel. Strictly follow the indications shown in the connection section to ensure correct polarity.

## 9. Switching On and Off

The luminaire does not have automatic on/off functionality. This function is only available in vision models and versions with a presence sensor.

The luminaire turns on when receiving voltage and turns off when the voltage is removed.

The luminaire allows PWM dimming (except for machine vision models).

## 10. Troubleshooting

If the lamp does not turn on:

- Check that the lamp is correctly connected to the power source.
- Verify that the polarity of the connection pins is correct.

**If the lamp is defective, contact:**  
**CONTAVAL S.L.U. (Lumher Technical Support)**  
**Telf. +34 963 843 700**  
**Email: [service@lumher.es](mailto:service@lumher.es)**

## 11. Replacing the Light Source

The light source is adhered to the profile using thermal adhesive glue.

Thanks to the long lifespan of the LED, around 60,000 hours\*, light source replacement will not be necessary if used as indicated in this manual.

In case the light source needs to be replaced, contact the technical department.

\* Value for white LED

## 12. Product Maintenance and Cleaning

**WARNING** - Disconnect power before performing any maintenance tasks.

This product does not require special maintenance.

- Cleaning tasks should only be carried out after turning off the lamp and once the surfaces have cooled down.
- Then proceed to clean the lamp with a non-abrasive liquid and a soft cloth.
- Regularly check that the four mounting screws are properly tightened.

**ADVICE** - Liquid leaks can damage the lamp.

## 13. Repair and Warranty

During the product's lifespan, the warranty covers product analysis and repair exclusively by Lumher's technical department or an authorized distributor, including the following points:

- Custody of the material provided for repair
- Cost of components, including labor dedicated to the defective product

The warranty does not cover:

- Transportation, packaging, and shipping costs
- Deterioration or damage caused by:
  - Installation and/or operation different from what is described in this manual
  - Repairs or repair attempts by personnel not authorized by Lumher
  - Operation of the equipment in environmental conditions other than those specified in the luminaire's technical sheet
  - Damage caused by liquid leaks in the lamp
  - Damage during transportation due to not following proper indications or inadequate packaging (original packaging is recommended)

**WARRANTY PERIOD:** The warranty period is 36 months from the date of purchase. Once this period has expired, repair services will be provided at the cost of replacement parts and labor according to established rates.

## 14. Recycling

Disposal of Obsolete Electrical and Electronic Devices (Directive 2002/96/EC-WEEE):

The crossed-out trash bin symbol indicates that this product, as it contains electrical and electronic components, should not be mixed with untreated municipal waste. For more detailed information regarding the recycling of this product, check your country's waste disposal regulations. Do not dispose of this product as solid waste, even if it contains such components. Reuse or proper recycling of electrical or electronic equipment (EEE) is important to protect the environment and human health.

According to the European WEEE Directive 2002/96/EC, these types of products should be disposed of in electrical and electronic waste disposal areas. The equipment may be disposed of by the distributor when purchasing an equivalent. Public administrations and manufacturers of electrical and electronic equipment are involved in facilitating all processes for the reuse and recovery of discarded electrical and electronic equipment through collection campaigns using appropriate planning mechanisms.

Incorrect disposal of electrical or electronic waste may be punishable by law according to the sanctions established by each country.

## 15. Symbology

|   |   |
|---|---|
|    | CE Logo   |
|    | CLASS III DEVICE<br>Device that works with extra-low voltages.  |
| IP40 / IP65   | IP Rating   |
|  | LED Technology  |
|  | Directive 2002/96/EC of the European Parliament and of the Council of 27 January 2003 on the disposal of Waste Electrical and Electronic Equipment (WEEE) (OJ L 37, 13.2.2003, p. 1). |