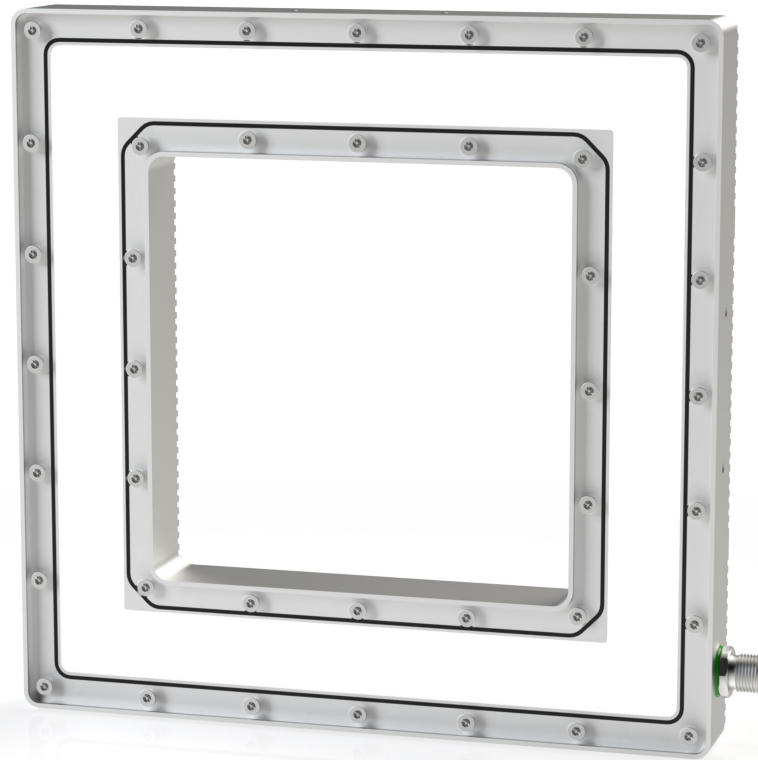


# Ring · RD2 SERIES White 5000K

lumher



24 V  
DC



IP65

M12A



MACHINE VISION

POWER 1x  
STROBE 4x



36  
MONTHS



MADE IN SPAIN

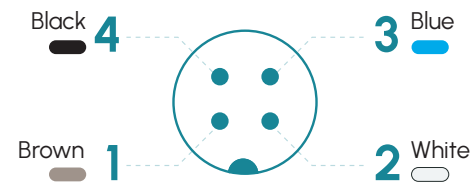
## Technical specifications

Power supply voltage	24 Vdc ±5%	
Trigger input	24 Vdc PNP	
Max. on time	Power = unlimited	Strobe = 10 ms
Max. working cycle	Power = 1	Strobe = 1/6
Max. number of cascable modules	This luminaire is not cascable	
Wavelength	White	5000 K
Angle of aperture	Semidiffuse Ultradiffuse	110° 110°
Electrical protections	Transient overvoltages Polarity reversal Current sabilizer	YES YES YES
IP Rating	IP65	
Protection type	Class III	
Operating temperature	-10 a +40 °C	
Body material	Anodized aluminum	
Diffuser material	PMMA plastic	
Connection types	M12A connector	
Standards	RoHs, CE	

## Connection

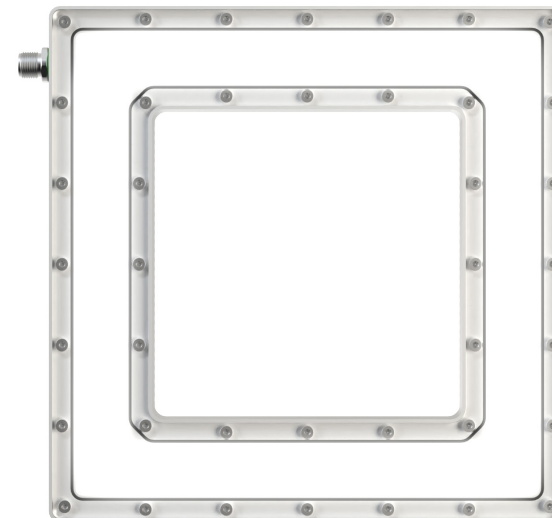
M12A input	Power	Master Power - Strobe
Pin 1 - Brown	+24 Vdc	+24 Vdc
Pin 2 - White	Not connected	Not connected
Pin 3 - Blue	0 Vdc	0 Vdc
Pin 4 - Black	Not connected	Trigger PNP

### M12A Male



## Anchors

B00S1

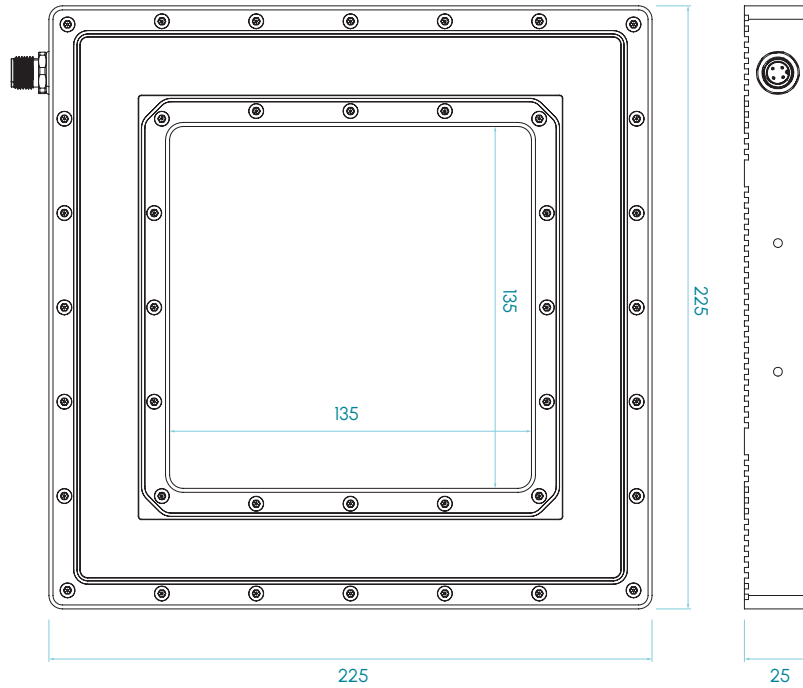


# RD2 · 5000K

**lumher**

## Dimensions

RD2



## Selection guide

RD 2 D 5 Y

Diffuser

Working mode

- C - Semidiffuse
- U - Ultradiffuse
- M - Semidiffuse polarized
- G - Ultradiffuse polarized

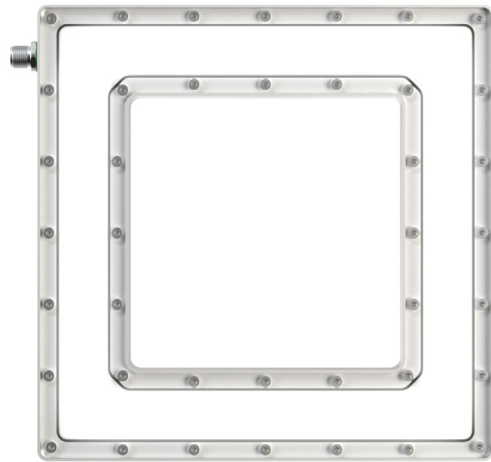
- P - Power
- Z - Master Power - Strobe

Dimensions in mm

# RD2 · 5000K

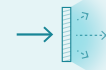
**lumher**

## Model RD2 · White 5000K



**5000K**

WHITE



SEMIDIFFUSE  
110°



ULTRADIFFUSE  
110°

PHOTOBIOLOGICAL  
RISK

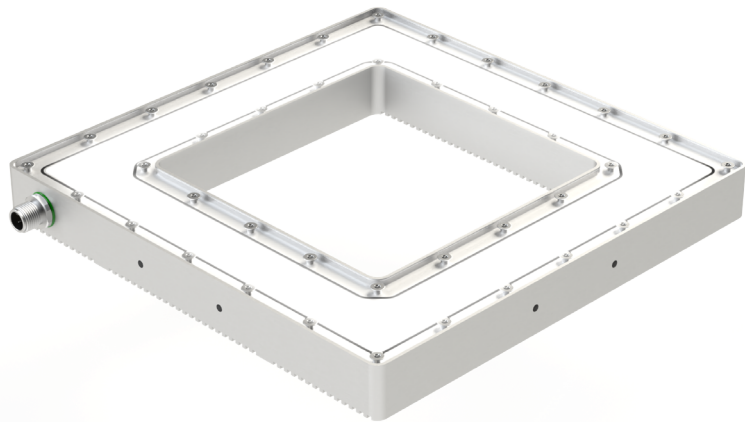
RG1 - LOW

**60.000h**

LIFESPAN

### Table of characteristics

	Width	Length	Weight	Luminous flux <sup>(1)</sup>		Power consumed	
	(mm)	(mm)	(g)	POWER	STROBE	POWER	STROBE
RD 1 ...	225	225	1.276	2.432	9.728	15,2	60,8



(1) The luminous flux (lm) is before the diffuser.