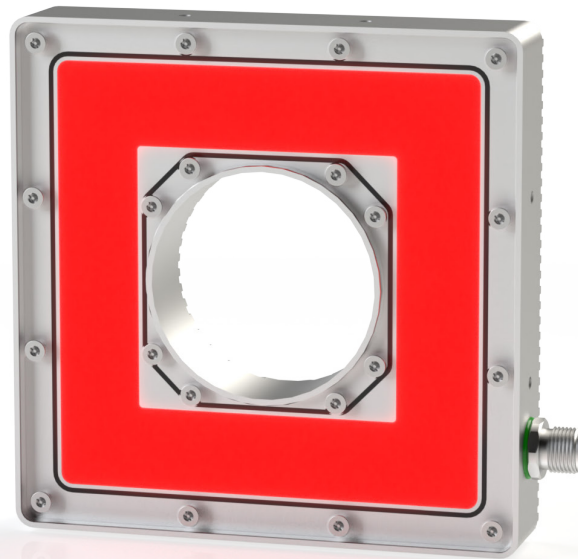


Ring · RD1 SERIES Red 625 nm

lumher



24 V
DC



IP65

M12A



POWER 1x
STROBE 4x



36
MONTHS



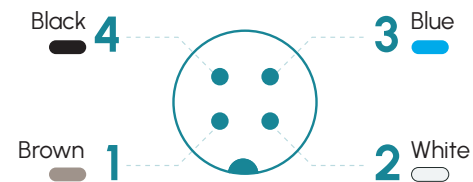
Technical specifications

Power supply voltage	24 Vdc ±5%	
Trigger input	24 Vdc PNP	
Max. on time	Power = unlimited	Strobe = 10 ms
Max. working cycle	Power = 1	Strobe = 1/6
Max. number of cascable modules	This luminaire is not cascable	
Wavelength	Red	625 nm
Angle of aperture	Semidiffuse Ultradiffuse	110° 110°
Electrical protections	Transient overvoltages Polarity reversal Current sabilizer	YES YES YES
IP Rating	IP65	
Protection type	Class III	
Operating temperature	-10 a +40 °C	
Body material	Anodized aluminum	
Diffuser material	PMMA plastic	
Connection types	M12A connector	
Standards	RoHs, CE	

Connection

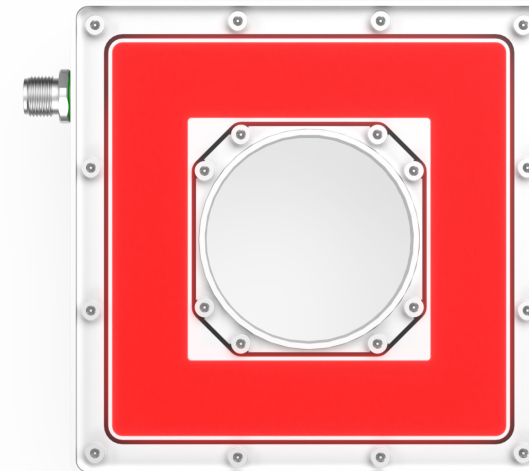
M12A input	Power	Master Power - Strobe
Pin 1 - Brown	+24 Vdc	+24 Vdc
Pin 2 - White	Not connected	Not connected
Pin 3 - Blue	0 Vdc	0 Vdc
Pin 4 - Black	Not connected	Trigger PNP

M12A Male



Anchors

B00S1

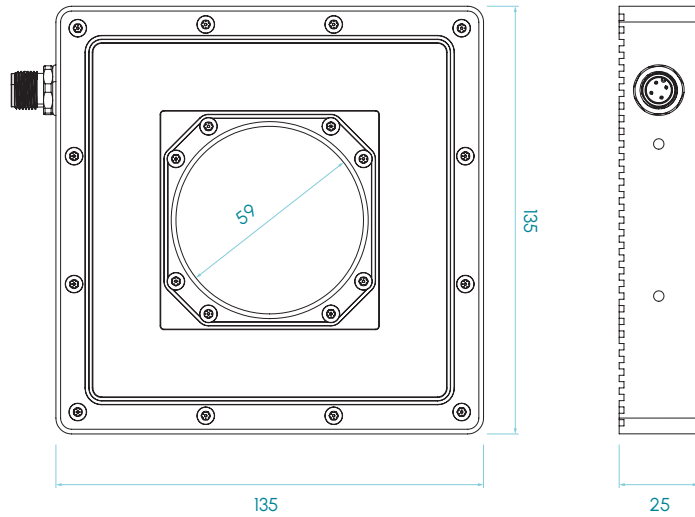


RD1 · 625 nm

lumher

Dimensions

RD1



Selection guide

RD 1 R 5 Y

Diffuser

Working mode

- C - Semidiffuse
- U - Ultradiffuse
- M - Semidiffuse polarized
- G - Ultradiffuse polarized

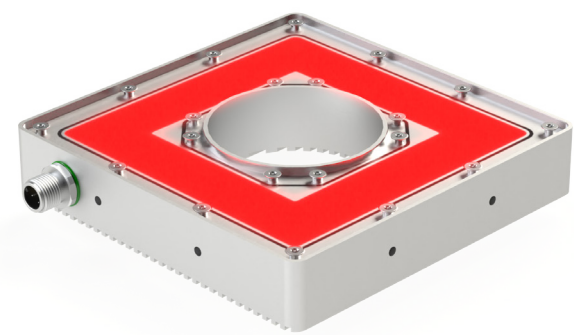
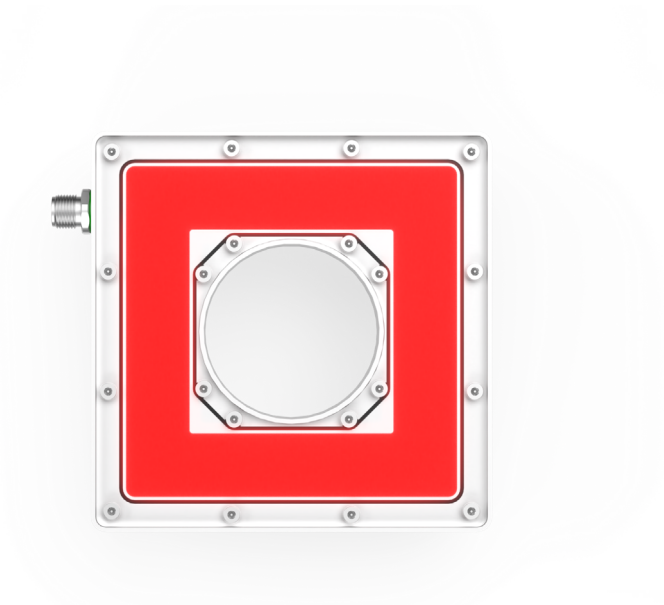
- P - Power
- Z - Master Power - Strobe

Dimensions in mm

RD1 · 625 nm

lumher

Model RD1 · Red 625 nm



625nm

RED



SEMIDIFFUSE
110°



ULTRADIFFUSE
110°

PHOTOBIOLOGICAL
RISK

RG1 - LOW

60.000h

LIFESPAN

Table of characteristics

	Width	Length	Weight	Luminous flux ⁽¹⁾		Power consumed	
	(mm)	(mm)	(g)	(lm)		(W)	
				POWER	STROBE	POWER	STROBE
RD1 ...	135	135	615	388	1.550	7,6	30,4

(1) The luminous flux (lm) is before the diffuser.