

# Functional · PC Series 3000K

lumher



24 V  
DC

125  
lm/W

NOT  
CASCADABLE

75 mm  
INCREMENTAL

FUNCTIONAL

CABLE

POWER 1x  
ECO 0,5x

IP40

PWM  
DIMABLE

CLASS III

36  
MONTHS

EU  
MADE IN SPAIN

## Technical specifications

Power supply voltage	24 Vdc $\pm$ 5%	
Luminous efficiency	125 lm/W	
PWM regulation (Max 25 KHz)	min. 0%	max. 100%
Wavelength	Warm white	3000K
Angle of aperture	Semidiffuse	60°
	Ultradiffuse	110°
Max. number of cascadable modules	This luminaire is not cascadable	
Electrical protections	Transient overvoltages	YES
	Polarity reversal	YES
	Current stabilizer	YES
Colour Rendering Index (CRI)	$\geq$ 90	
IP Rating	IP40	
Protection type	Class III	
Operating temperature	POWER version	-10 a +40 °C
	ECO version	-10 a +50° C
Body material	Anodized aluminum	
Side cover material	SLA resin	
Diffuser material	Polycarbonate	
Connection types	2m cable	
Standards	RoHs, CE	

## Connection

Input Cable	Power	Eco	Dual
Brown	+24 Vdc	+24 Vdc	+24 Vdc
White	Not connected	Not connected	24 Vdc = Power 0 Vdc = Eco
Blue	0 Vdc	0 Vdc	0 Vdc
Black	Not connected	Not connected	Not connected

## Anchors

P00G1 , P00G2, P00G3

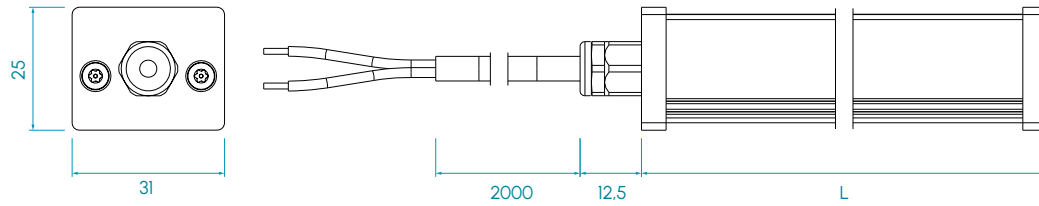
PC · 3000K



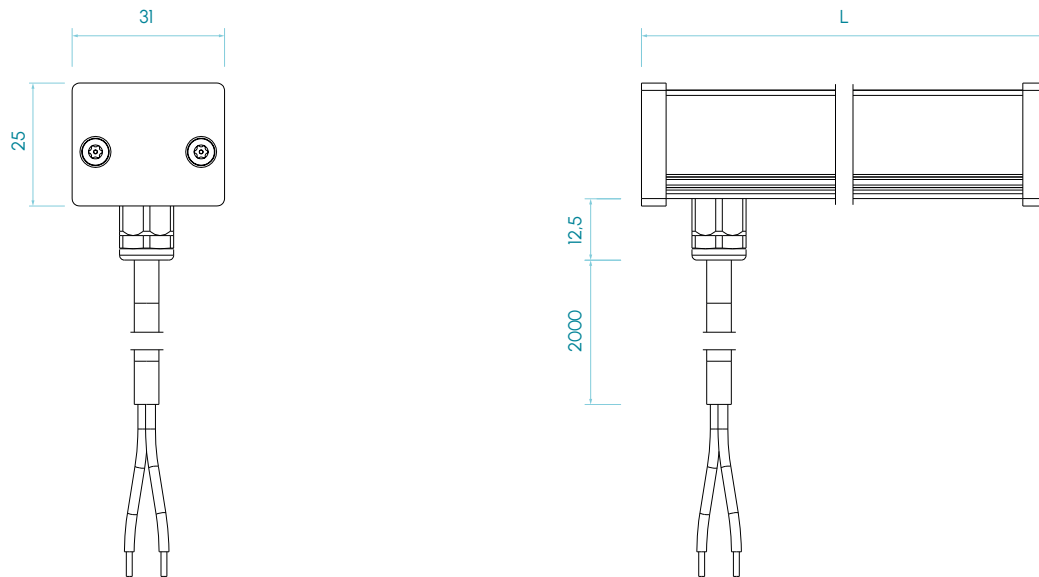
lumher

## Dimensions

### Axial version



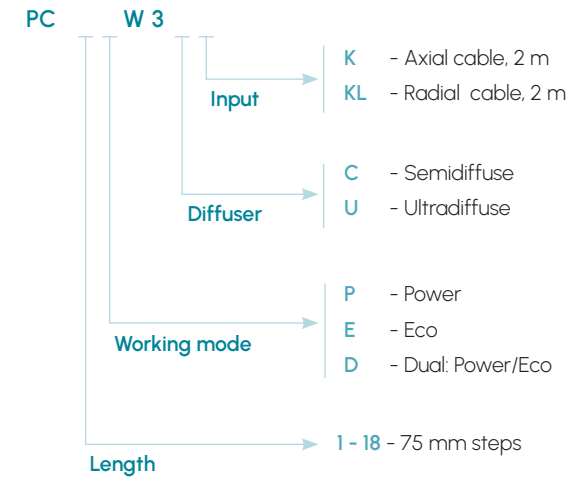
### Radial version



Dimensions in mm

# PC · 3000K

## Selection guide



**lumher**

# PC Series · Warm white 3000K



**3000K**

WARM WHITE

SEMIDIFFUSE  
60°

ULTRADIFFUSE  
110°

PHOTOBIOLOGICAL  
RISK

**RG1 - LOW**

**60.000h**

LIFESPAN

Table of characteristics

	Length L1 <sup>(1)</sup> (mm)	Length L2 <sup>(1)</sup> (mm)	Weight (g)	Illuminance Ev (lx) @ 1m				Luminous flux <sup>(2)</sup> (lm)		Power consumed (W)	
				SEMIDIFFUSE		ULTRADIFFUSE		POWER	ECO	POWER	ECO
				POWER	ECO	POWER	ECO				
PC 01...	105	123	90	41	21	25	12	195	98	1,6	0,8
PC 02...	180	198	130	82	41	49	25	390	195	3,2	1,6
PC 03...	255	273	170	123	62	74	37	586	293	4,8	2,4
PC 04...	330	348	210	164	82	99	49	781	390	6,4	3,2
PC 05...	405	423	250	205	103	124	61	976	488	8,0	4,0
PC 06...	480	498	290	246	124	148	74	1.171	586	9,6	4,8
PC 07...	555	573	330	287	144	173	86	1.366	683	11,2	5,6
PC 08...	630	648	370	327	165	198	98	1.562	781	12,8	6,4
PC 09...	705	723	410	368	185	222	110	1.757	878	14,4	7,2
PC 10...	780	798	450	409	206	247	123	1.952	976	16,0	8,0
PC 11...	855	873	490	450	226	272	135	2.147	1.074	17,6	8,8
PC 12...	930	948	530	491	247	296	147	2.342	1.171	19,2	9,6
PC 13...	1.005	1.023	570	532	268	321	160	2.538	1.269	20,8	10,4
PC 14...	1.080	1.098	610	573	288	346	172	2.733	1.366	22,4	11,2
PC 15...	1.155	1.173	650	614	309	371	184	2.928	1.464	24,0	12,0
PC 16...	1.230	1.248	690	655	329	395	196	3.123	1.562	25,6	12,8
PC 17...	1.305	1.323	730	696	350	420	209	3.318	1.659	27,2	13,6
PC 18...	1.380	1.398	770	737	371	445	221	3.514	1.757	28,8	14,4

(1) Versions with radial input and/or radial output will have as length L2, the rest will be L1.  
 (2) The luminous flux (lm) is before diffuser.