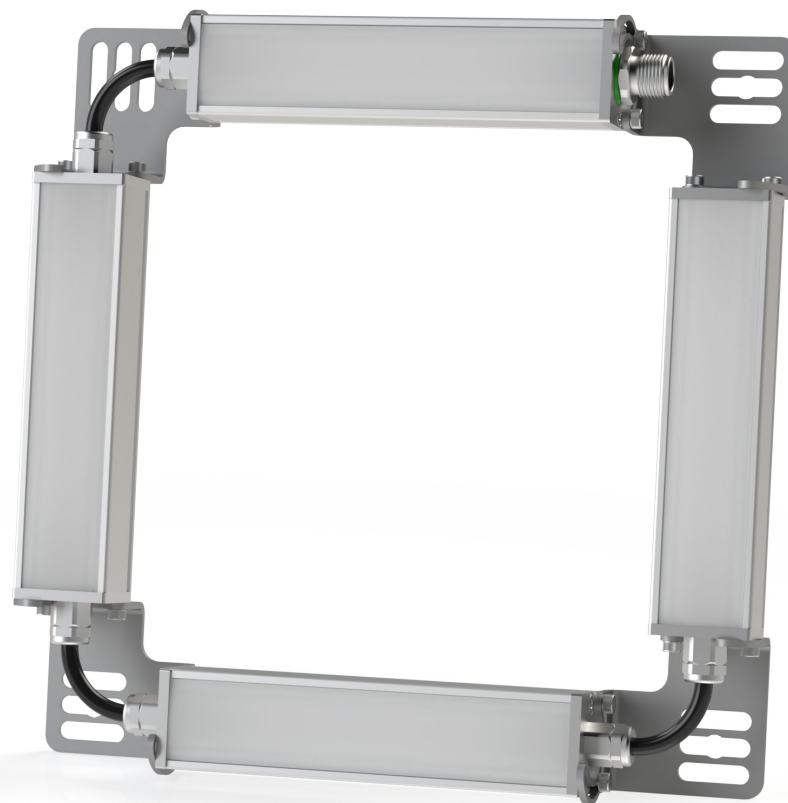


Rectangular · P4D SERIES Infrared 850 nm

lumher



24 V
DC

NOT
CASCADABLE

90 mm
INCREMENTAL

CABLE
M12A

MACHINE VISION

POWER 1x
STROBE 4x

INTEGRATED
CONTROLLER

IP40
IP65

36
MONTHS

MADE IN SPAIN

Technical specifications

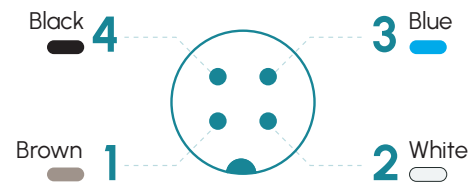
Power supply voltage	24 Vdc ±5%	
Trigger input	24 Vdc PNP	
Max. on time	Power = unlimited	Strobe = 10 ms
Max. working cycle	Power = 1	Strobe = 1/6
Max. number of cascable modules	This luminaire is not cascable	
Wavelength	Infrared	850 nm
Angle of aperture	Semidiffuse	60°
	Ultradiffuse	110°
Electrical protections	Transient overvoltages	YES
	Polarity reversal	YES
	Current sabilizer	YES
IP Rating	IP40 o IP65	
Protection type	Class III	
Operating temperature	-10 a +40 °C	
Body material	Anodized aluminum	
Side cover material	Anodized aluminum	
Diffuser material	Polycarbonate	
Connection types	M12A, 2m cable, M12A connector with cable	
Standards	RoHs, CE	

P4D · 850 nm

Connection

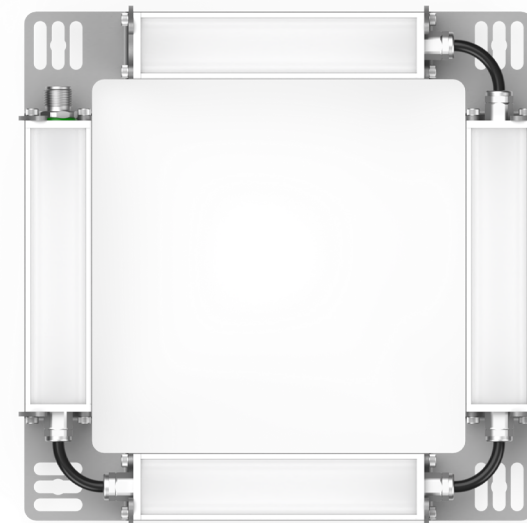
M12A input - Cable	Power	Master Power - Strobe
Pin 1 - Brown	+24 Vdc	+24 Vdc
Pin 2 - White	Not connected	Not connected
Pin 3 - Blue	0 Vdc	0 Vdc
Pin 4 - Black	Not connected	Trigger PNP

M12A Male



Fixings

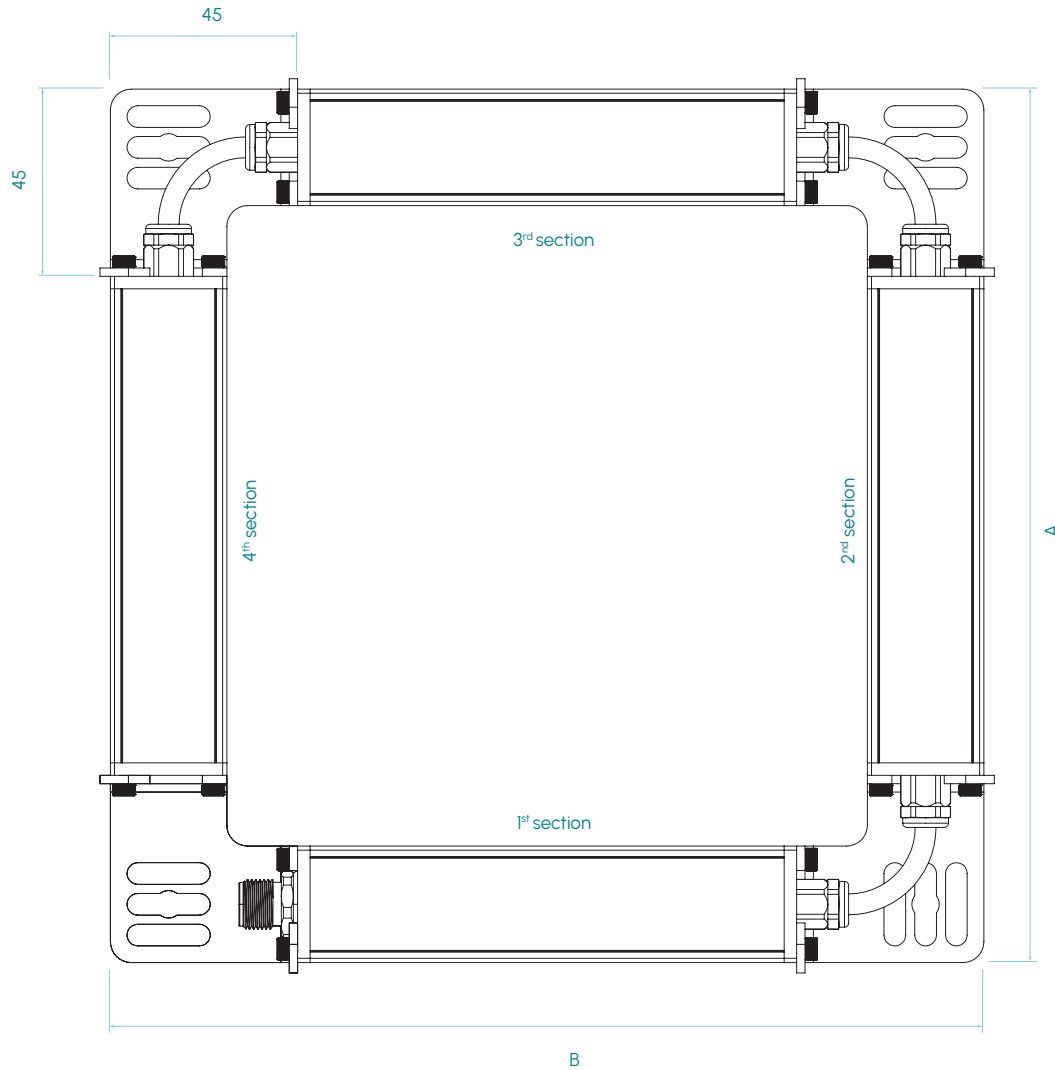
P00R4,M6DI6



lumher

Measures

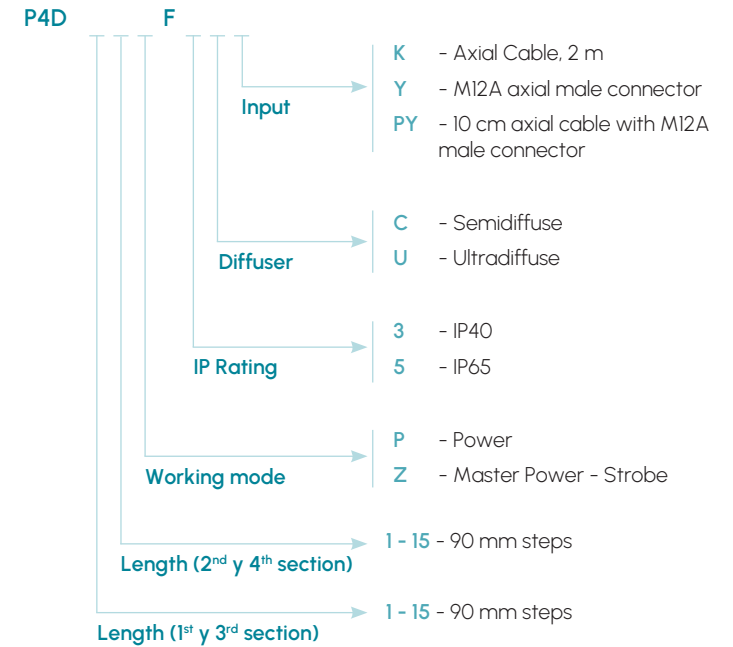
IP40 / IP65



Measures in mm

P4D · 850 nm

Selection guide



lumher

Model P4D · Infrared 850 nm

850nm

INFRARED



SEMIDIFFUSE
60°



ULTRADIFFUSE
110°

PHOTOBIOLOGICAL
RISK

RG1 - LOW

60.000h

LIFESPAN

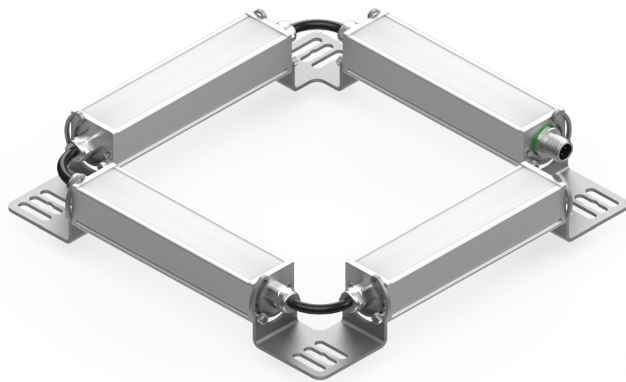
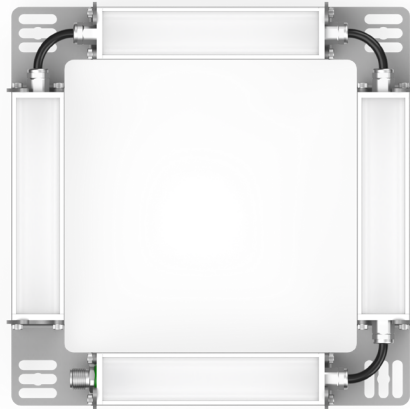


Table of characteristics

	Length	Length	Weight (g)	Radiated power ⁽¹⁾ (lm)		Power consumed (W)	
	A	B		POWER	STROBE	POWER	STROBE
	(mm)	(mm)					
P4D 11...	210	210	520	1,6	6,4	4,0	16,0
P4D 12...	210	300	616	2,4	9,6	6,0	24,0
P4D 13...	210	390	712	3,2	12,8	8,0	32,0
P4D 14...	210	480	808	4,0	16,0	10,0	40,0
P4D 21...	300	210	616	2,4	9,6	6,0	24,0
P4D 22...	300	300	712	3,2	12,8	8,0	32,0
P4D 23...	300	390	808	4,0	16,0	10,0	40,0
P4D 24...	300	480	904	4,8	19,2	12,0	48,0
P4D 31...	390	210	712	3,2	12,8	8,0	32,0
P4D 32...	390	300	808	4,0	16,0	10,0	40,0
P4D 33...	390	390	904	4,8	19,2	12,0	48,0
P4D 34...	390	480	1.000	5,6	22,3	14,0	56,0
P4D 41...	480	210	808	4,0	16,0	10,0	40,0
P4D 42...	480	300	904	4,8	19,2	12,0	48,0
P4D 43...	480	390	1.000	5,6	22,3	14,0	56,0
P4D 44...	480	480	1.096	6,4	25,5	16,0	64,0

(1) Radiated power (W) is before diffuser.