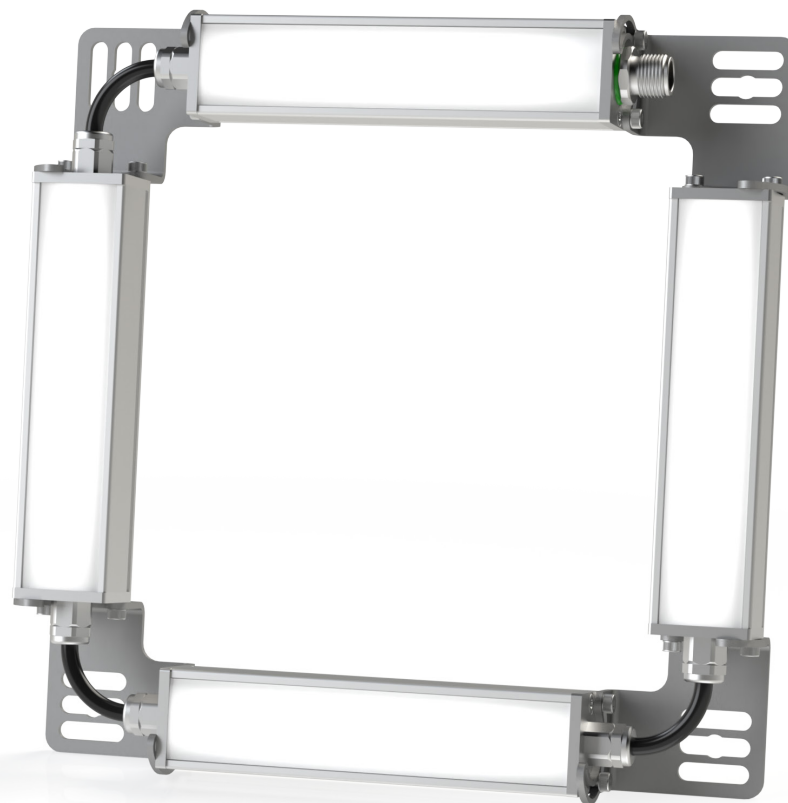


# Rectangular · P4D SERIES White 5000K

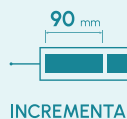
lumher



24 V  
DC



NOT  
CASCADABLE



90 mm  
INCREMENTAL

CABLE  
M12A



MACHINE VISION

POWER 1x  
STROBE 4x



INTEGRATED  
CONTROLLER

IP40  
IP65

36  
MONTHS



MADE IN SPAIN

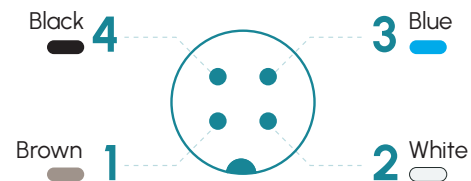
## Technical specifications

Power supply voltage	24 Vdc ±5%	
Trigger input	24 Vdc PNP	
Max. on time	Power = unlimited	Strobe = 10 ms
Max. working cycle	Power = 1	Strobe = 1/6
Max. number of cascable modules	This luminaire is not cascable	
Wavelength	White	5000 K
Angle of aperture	Semidiffuse Ultradiffuse	60° 110°
Electrical protections	Transient overvoltages Polarity reversal Current sablizer	YES YES YES
IP Rating	IP40 o IP65	
Protection type	Class III	
Operating temperature	-10 a +40 °C	
Body material	Anodized aluminum	
Side cover material	Anodized aluminum	
Diffuser material	Polycarbonate	
Connection types	M12A, 2m cable, M12A connector with cable	
Standards	RoHs, CE	

## Connection

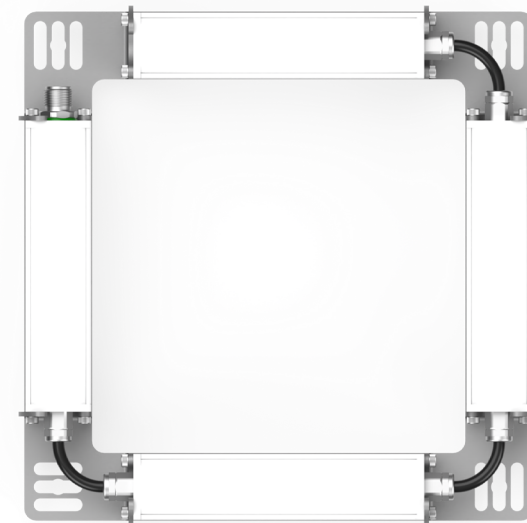
M12A input - Cable	Power	Master Power - Strobe
Pin 1 - Brown	+24 Vdc	+24 Vdc
Pin 2 - White	Not connected	Not connected
Pin 3 - Blue	0 Vdc	0 Vdc
Pin 4 - Black	Not connected	Trigger PNP

### M12A Male



## Fixings

P00R4,M6DI6

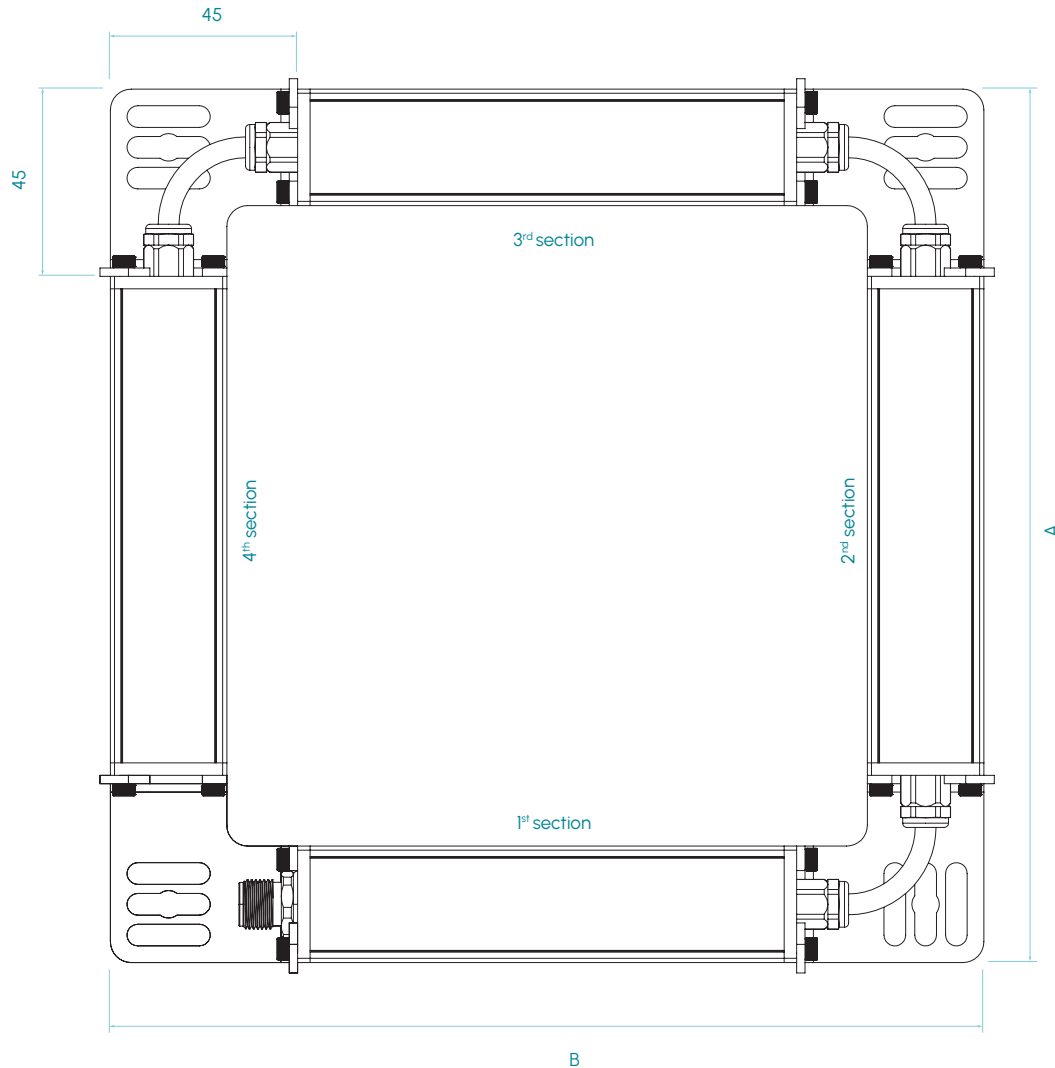


# P4D · 5000K

**lumher**

# Measures

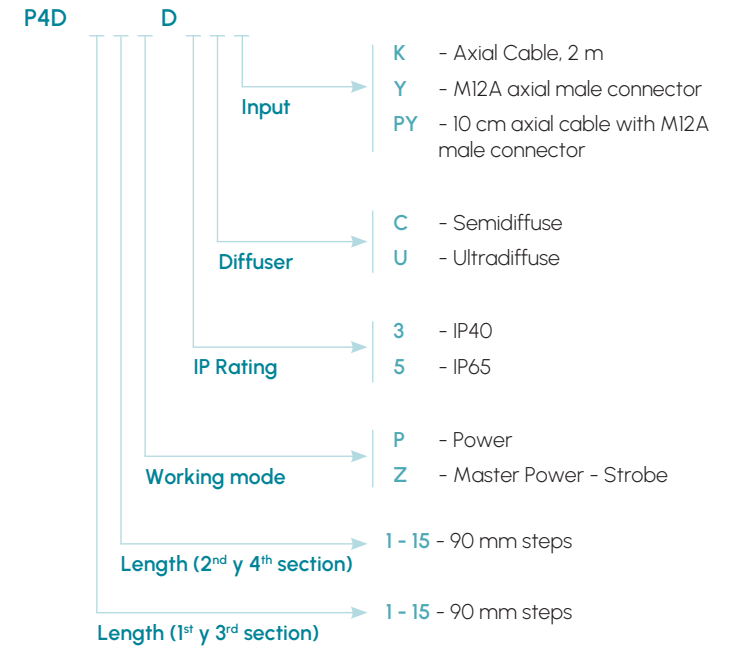
IP40 / IP65



Measures in mm

# P4D · 5000K

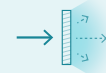
# Selection guide



# Model P4D · White 5000K

**5000K**

WHITE



SEMIDIFFUSE  
60°



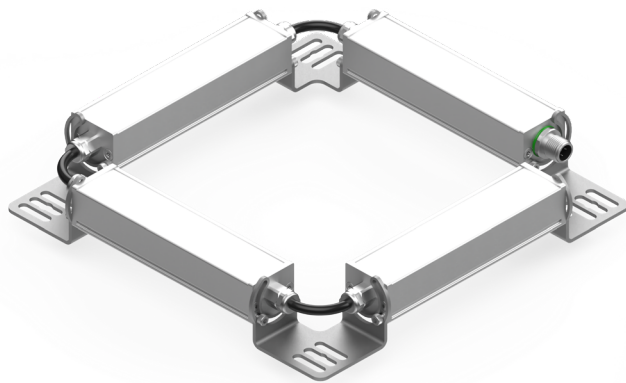
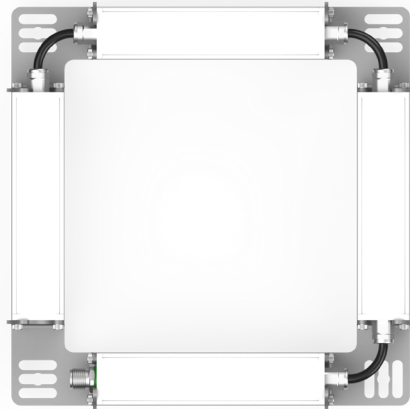
ULTRADIFFUSE  
110°

PHOTOBIOLOGICAL  
RISK

RG1 - LOW

**60.000h**

LIFESPAN



## Table of characteristics

	Length	Length	Weight (g)	Luminous flux <sup>(1)</sup> (lm)		Power consumed (W)	
	A	B		POWER	STROBE	POWER	STROBE
	(mm)	(mm)					
P4D 11...	210	210	520	1.216	4.864	7,6	30,4
P4D 12...	210	300	616	1.824	7.296	11,4	45,6
P4D 13...	210	390	712	2.432	9.728	15,2	60,8
P4D 14...	210	480	808	3.040	12.160	19,0	76,0
P4D 21...	300	210	616	1.824	7.296	11,4	45,6
P4D 22...	300	300	712	2.432	9.728	15,2	60,8
P4D 23...	300	390	808	3.040	12.160	19,0	76,0
P4D 24...	300	480	904	3.648	14.592	22,8	91,2
P4D 31...	390	210	712	2.432	9.728	15,2	60,8
P4D 32...	390	300	808	3.040	12.160	19,0	76,0
P4D 33...	390	390	904	3.648	14.592	22,8	91,2
P4D 34...	390	480	1.000	4.256	0	26,6	0,0
P4D 41...	480	210	808	3.040	12.160	19,0	76,0
P4D 42...	480	300	904	3.648	14.592	22,8	91,2
P4D 43...	480	390	1.000	4.256	0	26,6	0,0
P4D 44...	480	480	1.096	4.864	0	30,4	0,0

(1) Luminous flux (lm) is before diffuser.