

# Parallel · P2D SERIES White 5000K

lumher



24 V  
DC



NOT  
CASCADABLE

CABLE  
M12A



MACHINE VISION



POLARIZED

POWER 1x  
STROBE 4x



INTEGRATED  
CONTROLLER

IP40  
IP65

36  
MONTHS



MADE IN SPAIN

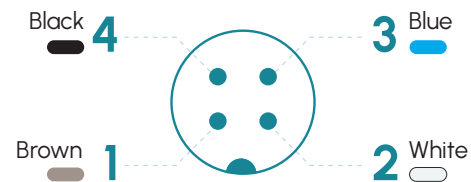
## Technical specifications

Power supply voltage	24 Vdc ±5%	
Trigger input	24 Vdc PNP	
Max. on time	Power = unlimited	Strobe = 10 ms
Max. working cycle	Power = 1	Strobe = 1/6
Max. number of cascable modules	This luminaire is not cascable	
Wavelength	White	5000 K
Angle of aperture	Semidiffuse Ultradiffuse	60° 110°
Electrical protections	Transient overvoltages Polarity reversal Current sablizer	YES YES YES
IP Rating	IP40 o IP65	
Protection type	Class III	
Operating temperature	-10 a +40 °C	
Body material	Anodized aluminum	
Side cover material	Anodized aluminum	
Diffuser material	Polycarbonate	
Connection types	M12A, 2m cable, M12A connector with cable	
Standards	RoHs, CE	

## Connection

M12A input - Cable	Power	Master Power - Strobe
Pin 1 - Brown	+24 Vdc	+24 Vdc
Pin 2 - White	Not connected	Not connected
Pin 3 - Blue	0 Vdc	0 Vdc
Pin 4 - Black	Not connected	Trigger PNP

### M12A Male



## Fixings

COOF1, POOR2

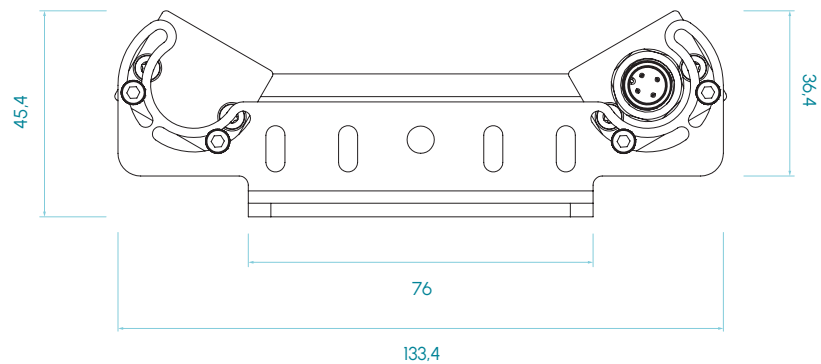
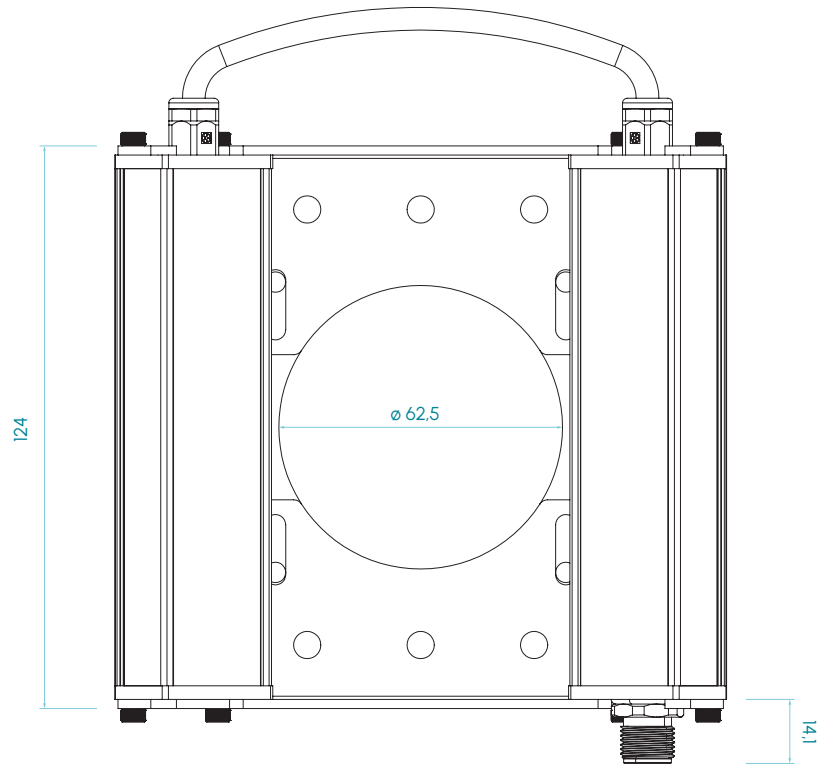


# P2D · 5000K

**lumher**

# Measures

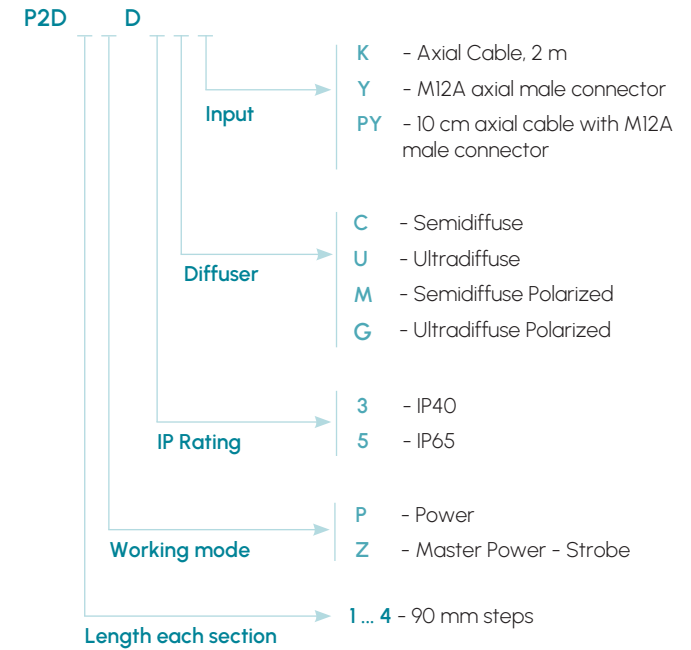
IP40 / IP65



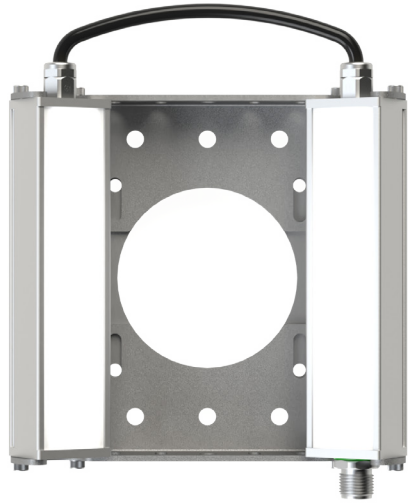
Measures in mm

# P2D · 5000K

# Selection guide

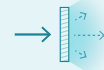


## Model P2D · White 5000K



**5000K**

WHITE



SEMIDIFFUSE  
60°



ULTRADIFFUSE  
110°

PHOTOBIOLOGICAL  
RISK

RG1 - LOW

**60.000h**

LIFESPAN

### Table of characteristics

	Width (mm)	Length (mm)	Weight (g)	Luminous flux <sup>(2)</sup> (lm)		Power consumed (W)	
				POWER	STROBE	POWER	STROBE
				P2D 1...	135	125	430
P2D 2...	135	215	780	1.216	4.864	7,6	30,4
P2D 3...	135	305	1.130	1.824	7.296	11,4	45,6
P2D 4...	135	395	1.480	2.432	9.728	15,2	60,8

(2) The luminous flux (lm) is before diffuser.

**lumher**