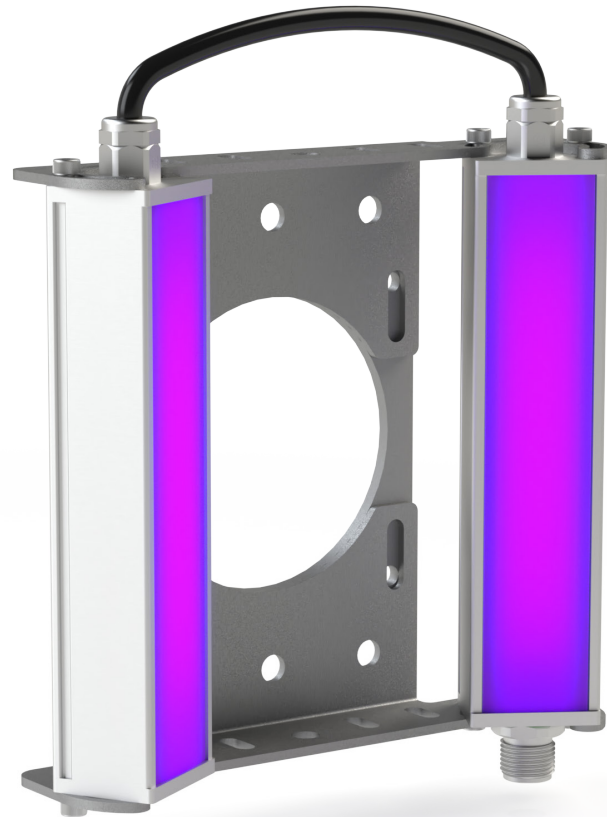


Parallel · P2D SERIES Ultraviolet 365 nm

lumher



24 V
DC

NOT
CASCADABLE

CABLE
M12A

MACHINE VISION

POWER 1x
STROBE 4x

INTEGRATED
CONTROLLER

IP40
IP65

36
MONTHS

MADE IN SPAIN

Technical specifications

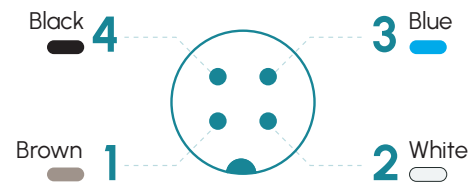
Power supply voltage	24 Vdc ±5%	
Trigger input	24 Vdc PNP	
Max. on time	Power = unlimited	Strobe = 10 ms
Max. working cycle	Power = 1	Strobe = 1/6
Max. number of cascable modules	This luminaire is not cascable	
Wavelength	Ultraviolet	365 nm
Angle of aperture	Transparent	55°
Electrical protections	Transient overvoltages	YES
	Polarity reversal	YES
	Current sabilizer	YES
IP Rating	IP40 o IP65	
Protection type	Class III	
Operating temperature	-10 a +40 °C	
Body material	Anodized aluminum	
Side cover material	Anodized aluminum	
Diffuser material	Polycarbonate	
Connection types	M12A, 2m cable, M12A connector with cable	
Standards	RoHs, CE	

P2D · 365 nm

Connection

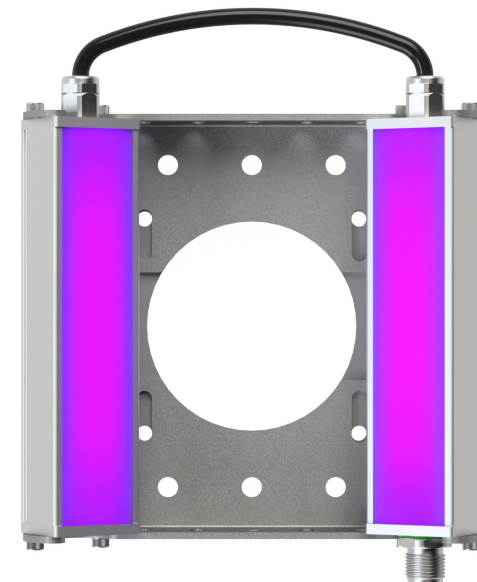
M12A input - Cable	Power	Master Power - Strobe
Pin 1 - Brown	+24 Vdc	+24 Vdc
Pin 2 - White	Not connected	Not connected
Pin 3 - Blue	0 Vdc	0 Vdc
Pin 4 - Black	Not connected	Trigger PNP

M12A Male



Fixings

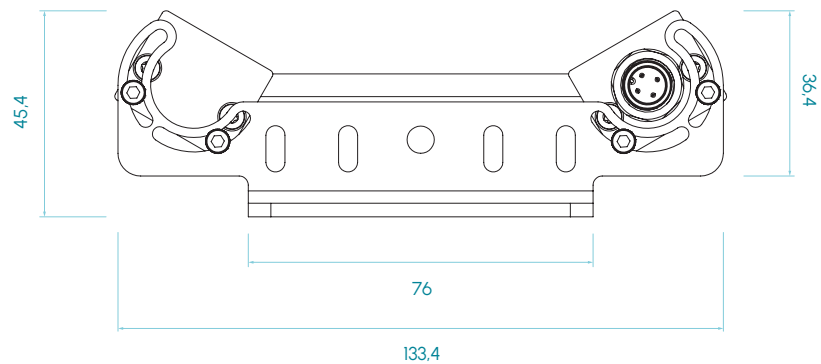
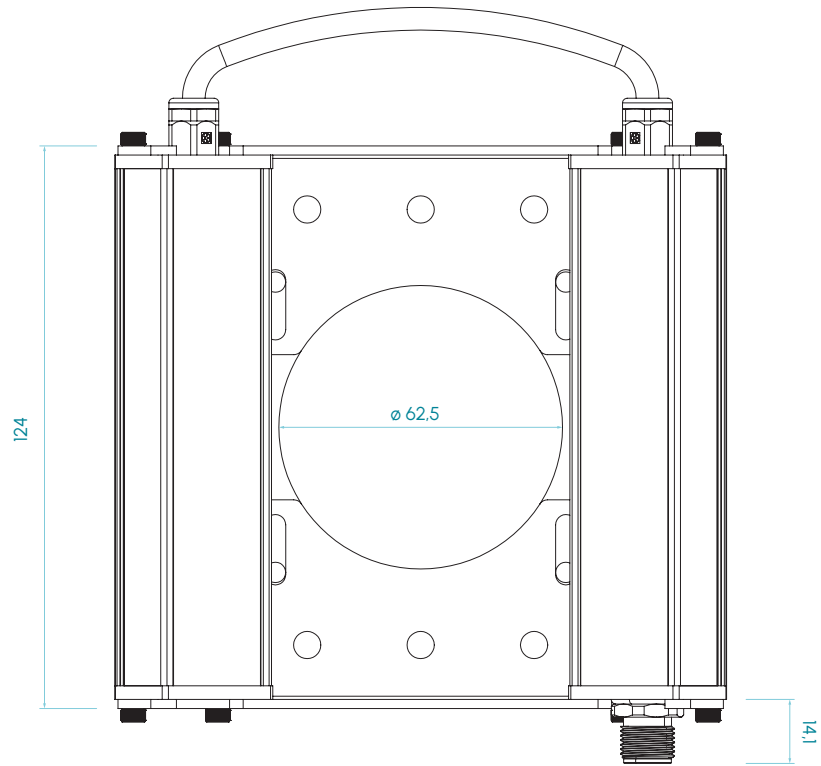
COOF1, POOR2



lumher

Measures

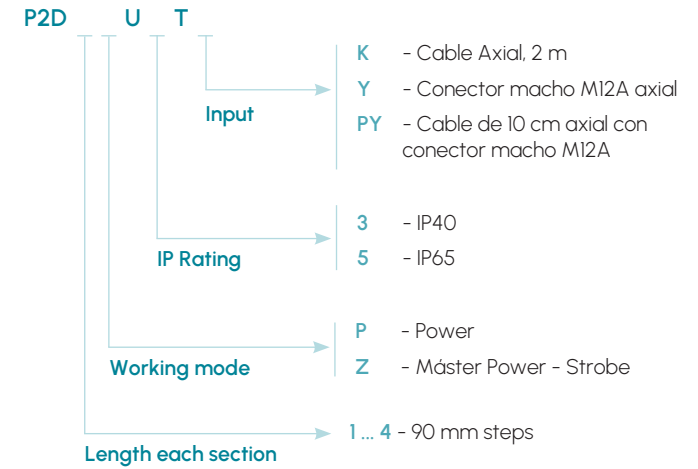
IP40 / IP65



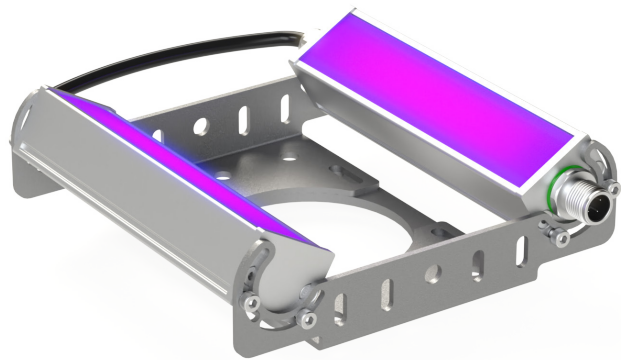
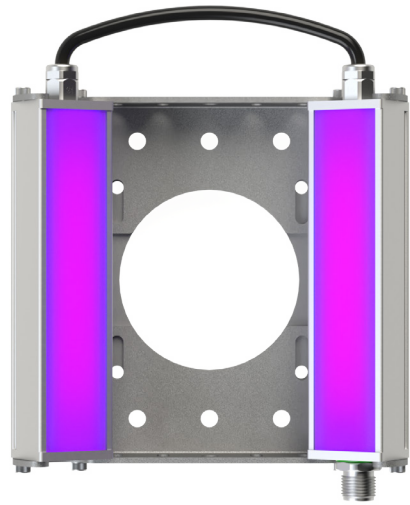
Measures in mm

P2D · 365 nm

Selection guide



Model P2D · Ultraviolet 365 nm



365nm

ULTRAVIOLET



TRANSPARENT
55°

PHOTOBIOLOGICAL
RISK

RG2 - MEDIUM

15.000h

LIFESPAN

Table of characteristics

	Width (mm)	Length (mm)	Weight (g)	Radiated power ⁽²⁾ (W)		Power consumed (W)	
				POWER	STROBE	POWER	STROBE
				P2D 1...	135	124	427
P2D 2...	135	215	780	3,7	14,9	7,6	30,4
P2D 3...	135	305	1.130	5,6	22,4	11,4	45,6
P2D 4...	135	395	1.480	7,5	29,9	15,2	60,8

(2)The radiated power (W) is before the diffuser.

lumher