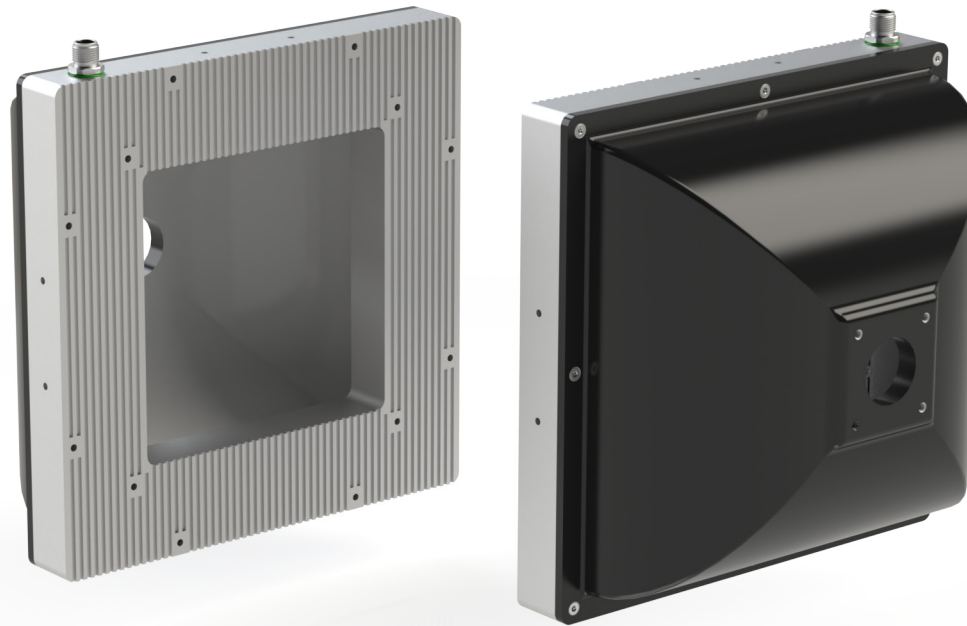


Domo · DD SERIES Infrared 850nm

lumher



24 V
DC

NOT
CASCADABLE

IP65

M12A

MACHINE VISION

POWER 1x
STROBE 4x

INTEGRATED
CONTROLLER

36
MONTHS

EU
MADE IN SPAIN

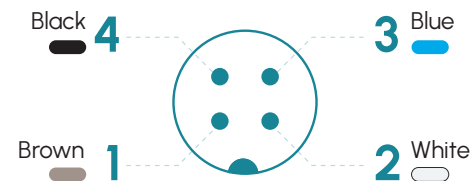
Technical specifications

Power supply voltage	24 Vdc ±5%	
Trigger input	24 Vdc PNP	
Max. on time	Power = unlimited	Strobe = 10 ms
Max. working cycle	Power = 1	Strobe = 1/6
Max. number of cascable modules	This luminaire is not cascable	
Wavelength	Infrared	850 nm
Electrical protections	Transient overvoltages	YES
	Polarity reversal	YES
	Current stabilizer	YES
IP Rating	IP65	
Protection type	Class III	
Operating temperature	-10 a +40 °C	
Body material	Anodized aluminum and resin	
Diffuser material	PMMA plastic	
Connection types	M12A connector	
Standards	RoHs, CE	

Connection

M12A input	Power	Master Power - Strobe
Pin 1 - Brown	+24 Vdc	+24 Vdc
Pin 2 - White	Not connected	Not connected
Pin 3 - Blue	0 Vdc	0 Vdc
Pin 4 - Black	Not connected	Trigger PNP

M12A Male



Anchors

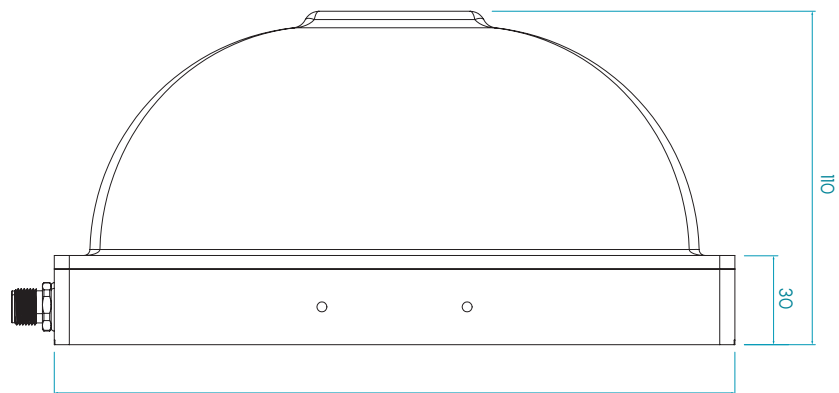
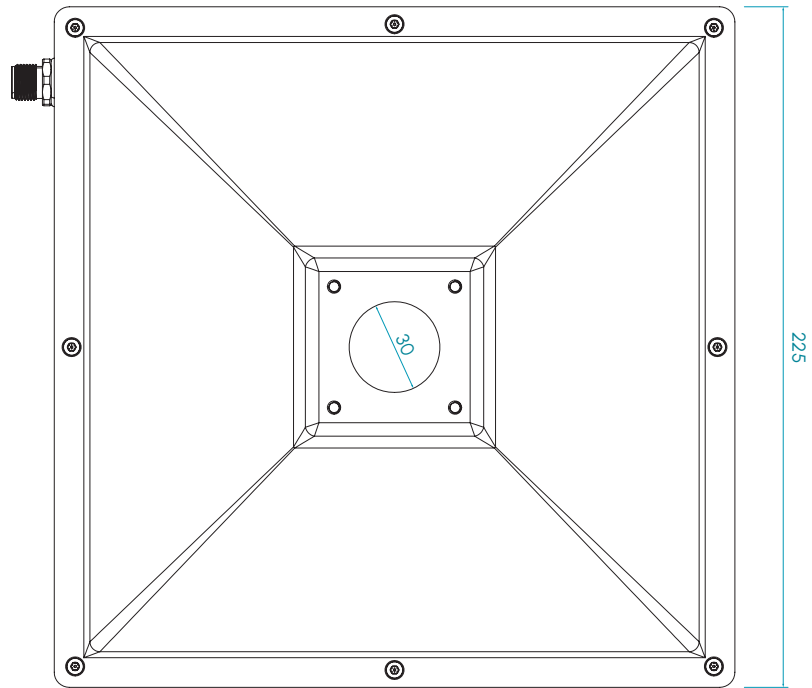
B00S1

DD · 850 nm



lumher

Dimensions



Dimensions in mm

225

DD · 850 nm

Selection guide

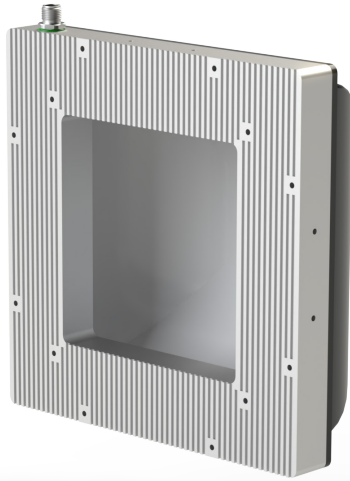
DD2 F 5 T Y

Working mode

- P - Power
- Z - Master Power - Strobe

lumher

Model DD · Infrared 850 nm



850nm

INFRARED



TRANSPARENT

PHOTOBIOLOGICAL
RISK

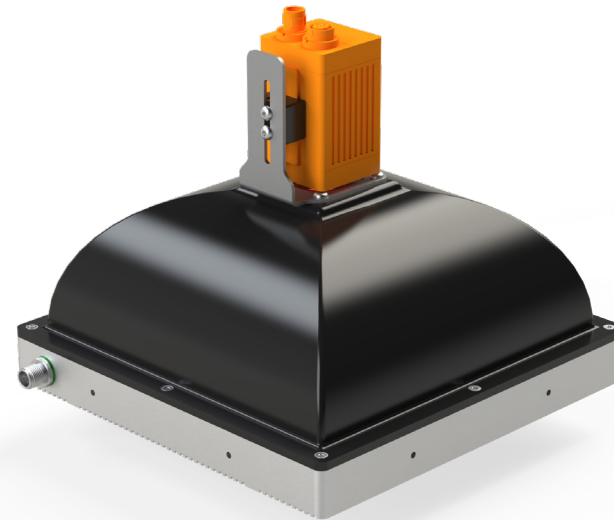
RG1 - LOW

60.000h

LIFESPAN

Table of characteristics

	Width	Height	Weight	Radiated power ⁽¹⁾		Power consumed	
	(mm)	(mm)	(g)	(W)		(W)	
				POWER	STROBE	POWER	STROBE
DD 2 ...	225	225	1.760	3.2	12.8	8.0	32.0



(1) The radiated power (W) is before the diffuser.

lumher